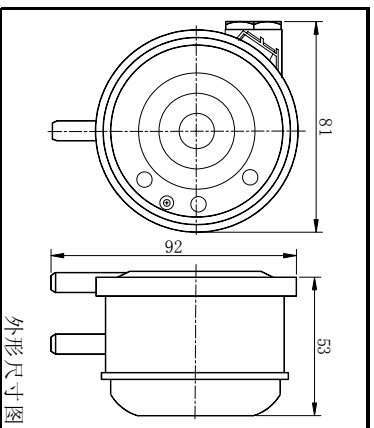
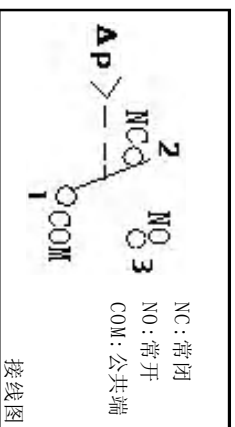


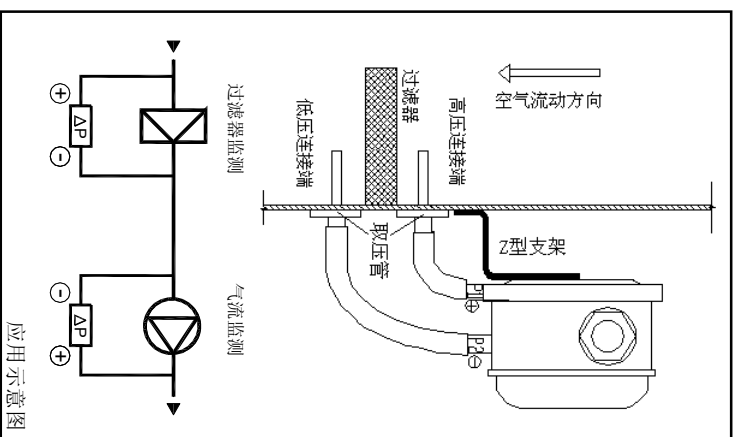
TP33B 压差开关使用说明



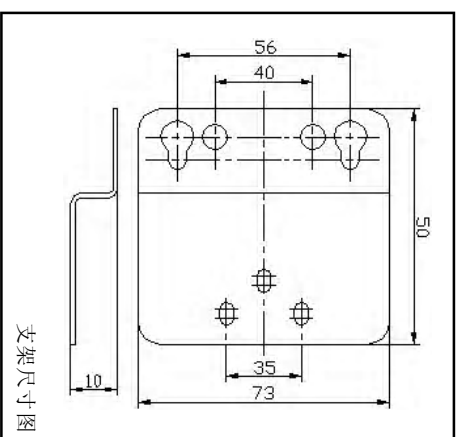
外形尺寸图



接线图



应用示意图



支架尺寸图

1. 应用

TP33 系列压差开关可用于感知管道中非腐蚀性气体的压力差、真空、过压和气流差等参数。

常规应用包括:

- * 监测过滤器阻塞报警装置
- * 风机运行状态监测
- * 通风管道中气体监测
- * 控制可变气容系统中最大气流
- * 燃烧炉中气体控制

2. 技术参数

测量范围:

- TP33B-20: 20Pa~200Pa
- TP33B-30: 30Pa~300Pa
- TP33B-50: 50Pa~500Pa
- TP33B-100: 100Pa~1000Pa

最大媒介压力: 5000Pa

工作温度: -15℃~+60℃(过压 1000Pa)

防护等级: IP54

输出触点容量: 1.5A (0.5A) 250VAC

重量: 100g

外形尺寸: $\phi 81 \times 53\text{mm}$

3. 安装

(1). 位置: 最好在垂直板上用横隔装配。只要保证装配面震动最小或没有震动, 开关可以直接固定在管道、加热器或面板上。媒介温度在 $-15^{\circ}\text{C} \sim +60^{\circ}\text{C}$ 范围内。TP33B 的生产校准是在室温下, 最好也安装在接近室温环境下。湿度较高的系统中可能发生水汽凝结现象, 应注意软管连接管口向下。

(2). 压力连接及接线: 压力连接位置标 P1 (高压) 及 P2 (低压或静压) 不可接错。请参阅控制装置侧面图示。

4. 装配说明

拧松盖板螺丝移去上盖后可进行压差值的设定(设定值对准箭头位置)。上盖装配时要注意先将卡头向里推一下再压下闭合。

注: 使用前应配打取压管的安装孔, 并将“Z型”支架部分安装在现场(标准配置)。

5. 提供安装附件

导压管	$\phi 6.2\text{mm}$	1.8m
Z型安装支架	1个	
螺丝	3个	
取压管	2个	

6. 注意

- (1). 压差开关应垂直安装, 这样可以使其内部的气膜自重不影响产品精度。
- (2). 避免电击或损坏设备, 移去上盖时应确保电源开关处于关闭状态。
- (3). 使用前应完成电线连接并检查连接状态, 不正确的连接可能导致此设备的永久性损毁。

7. 接线 (螺丝连接端子):

实际压差小于设定值, 触点 1-2 导通。
实际压差大于设定值, 触点 1-3 导通。

8. 系统检测

正确安装和调节后, 应至少运行一个完整的循环来检测系统。如果有异常现象, 应重新检测接线和各部件。

9. 测试标准

EN61058 DIN3398

10. 修理和替换

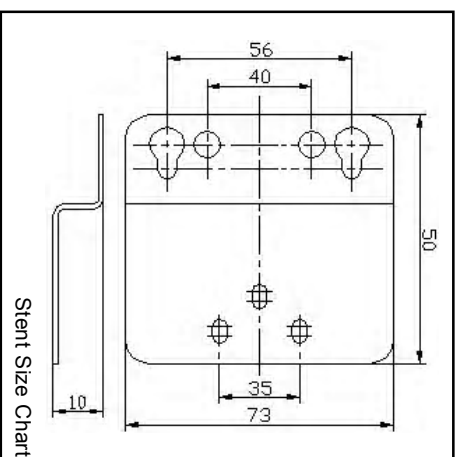
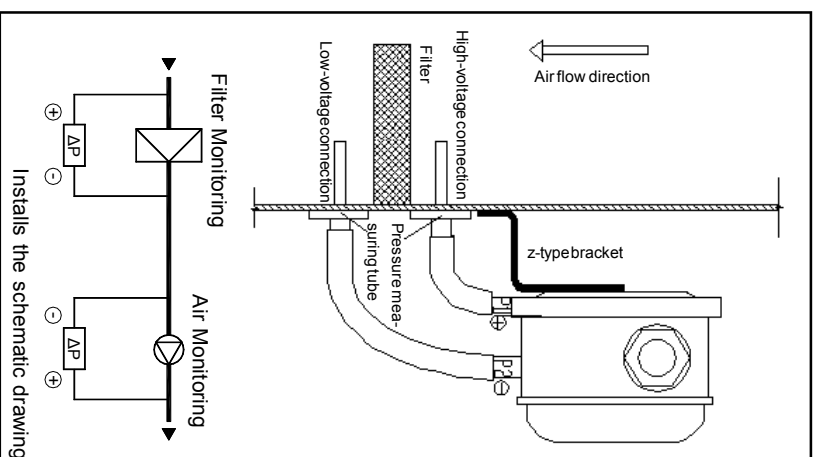
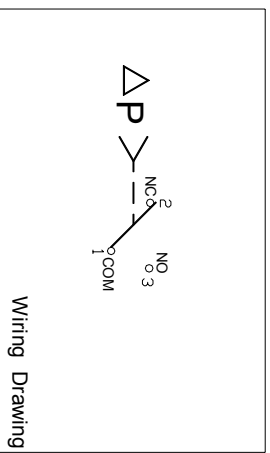
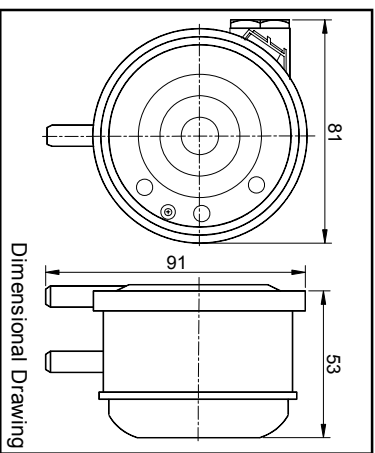
此装置不能修理。如有出现异常现象, 请与最近的供应商协商。当供应商来替换此装置时, 请提供产品型号 (位于控制装置的侧面)。

11. 特别说明

由于产品不断改进, 本说明书电气连接图仅供参考, 详细的电气接线图印于产品本身。

TP33B Instruction Sheet

READ THIS INSTRUCTION SHEET CAREFULLY BEFORE INSTALLING.
KEEP THIS INSTRUCTION SHEET WITH THE CONTROL.



1. Application

Series of TP33B pressure switch can be used to sense (differential) pressure and flow of air in ducts and pipes. Typical applications include: Filter obstructive alarm; Fan monitor; Air proving in ventilation ducts; Maximum air flow controller for variable air volume systems; Burner air control.

2. Specifications

Measuring Range:

TP33B-20: 20Pa~200Pa

TP33B-30: 30Pa~300Pa

TP33B-50: 50Pa~500Pa

TP33B-100: 100Pa~1000Pa

Max . medium Pressure: 5000Pa

Working Temperature:

-15°C~+60°C(over-pressure 1000Pa)

Protection levels: IP54

Output contact capacity: 2A 250VAC

Weight: 100g

Dimension: ϕ 81 × 53mm

3. Installation

Location: best in the vertical board assembly separated by Wang. As long as that assembly of the smallest shock or vibration, the switch can be fixed directly pipeline, or heater panels. Media temperature -15°C~+60°C range. TP33B production calibration is at room temperature, preferably also installed in the near room temperature environment. Higher humidity may occur in the system vapor condensation phenomenon, it should be noted hose connecting the mouth downward.

Pressure and wiring connections: connecting pressure subscript position P1(HV) and P2 (low or HLP) to be wrong. Please refer control device icon.

4. Mounting instruction

Flat screw loose screws can be removed after pressure above the value of the setting (set value at the Red Arrow location). Shelters assembly to be taken when the first card, the first to push further reduction closure.

Note

Use a before allocation from the pressure of mounting holes.

5. Accessory

Introduction of pressure: ϕ 6.2mm L=1.8m(1pcs)

z-type bracket: 1pcs

Screw: 3pcs

pressure-adapted tubes: 2pcs

6. Warning

(1) The Pressure Switch should be mounted vertically which can prevent affecting on precision from inner atmosphere film weight.

(2) To prevent electrical shock or damage to equipment , when the cover is removed , ensure the power supply is switched off .

(3) Complete wiring and check the connections before applying power . Incorrect wiring may cause permanent damage to the unit .

7. Wiring (Screw terminal)

If the actual pressure is below dial setting, 1-2closed, while if the actual pressure is over dial setting, 1-3 closed.

8. System check

After proper installation and adjustment of the control ,the system should be checked by running at least one full cycle of the equipment . If anything appears to operate incorrectly , the wiring and components should be rechecked .

9. Repair and replacement

Repair is not possible .In case of a defective or improperly functioning control ,please check with your nearest supplier . when contacting the supplier for a replacement ,you should state the type / model number of the control .this number can be found on the side of the control .

10.Special Note

As the products are improved constantly, the manual electrical connection diagram for reference only, detailed electrical wiring diagram was printed on the product.